

**SINGLE – PHASE INDUCTION MOTORS DESIGNED**

rated voltage 230 V – 50 Hz

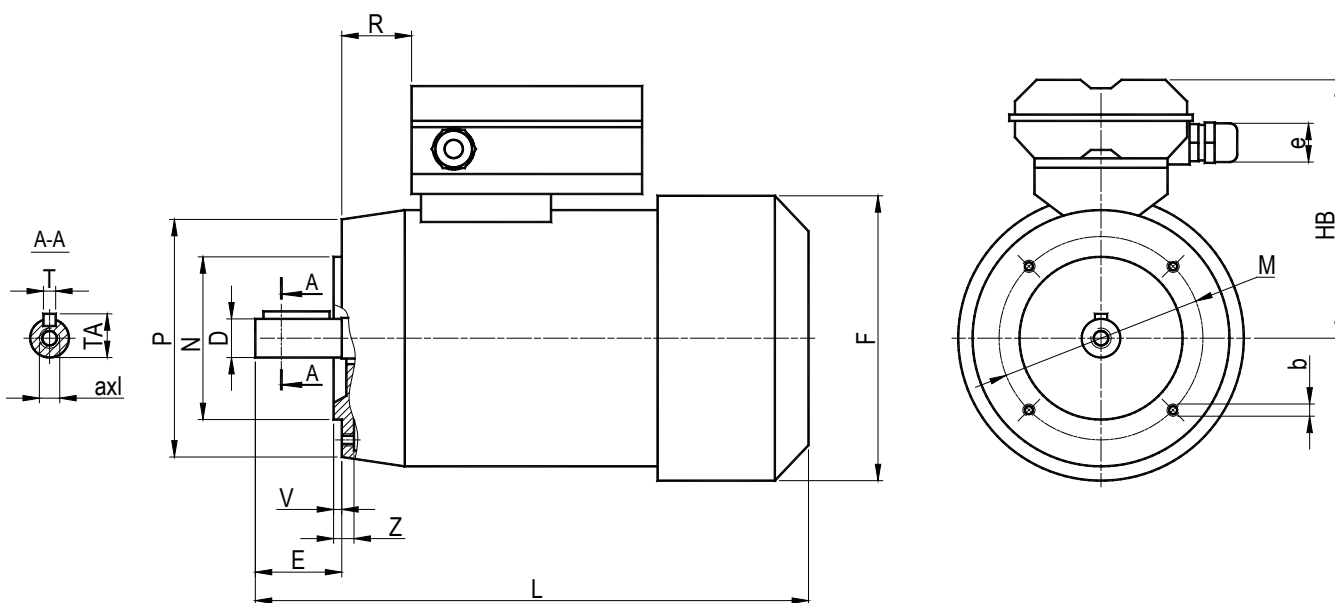
degree of protection: IP54 insulation class F; duty S1; temp. -15°C to +40°C

**PN-EN60034-1**

**IEC 60034-1**

**CE mark**

**Construction form B14**



type	dimension [mm]											shaft				
	F	HB	L	M	N	P	R	V	Z	b	e	D	axl	E	T [h9]	TA
SMKF 56 A/B	110	104	187	65	50	80	17	2	6	M5	PG11	9 j6	M4x10	20	3	10
SMKF 63 A/B	125	108	205	75	60	90	18	2	6	M5	PG11	11 j6	M4x10	23	4	12
SMKF 71 A/B	141	122	244	85	70	105	18	2	8	M6	PG13,5	14 j6	M5x15	30	5	16
SMKF 80 A/B	159	139	275	100	80	120	25	3	12	M6	PG13,5	19 j6	M6x15	40	6	21
SMKF 90S	176	146	305	115	95	140	32	3	10	M8	PG13,5	24 j6	M8x20	50	8	27
SMKF 90L	176	146	330	115	95	140	32	3	10	M8	PG13,5	24 j6	M8x20	50	8	27