

SINGLE – PHASE INDUCTION MOTORS DESIGNED

PN-EN60034-1

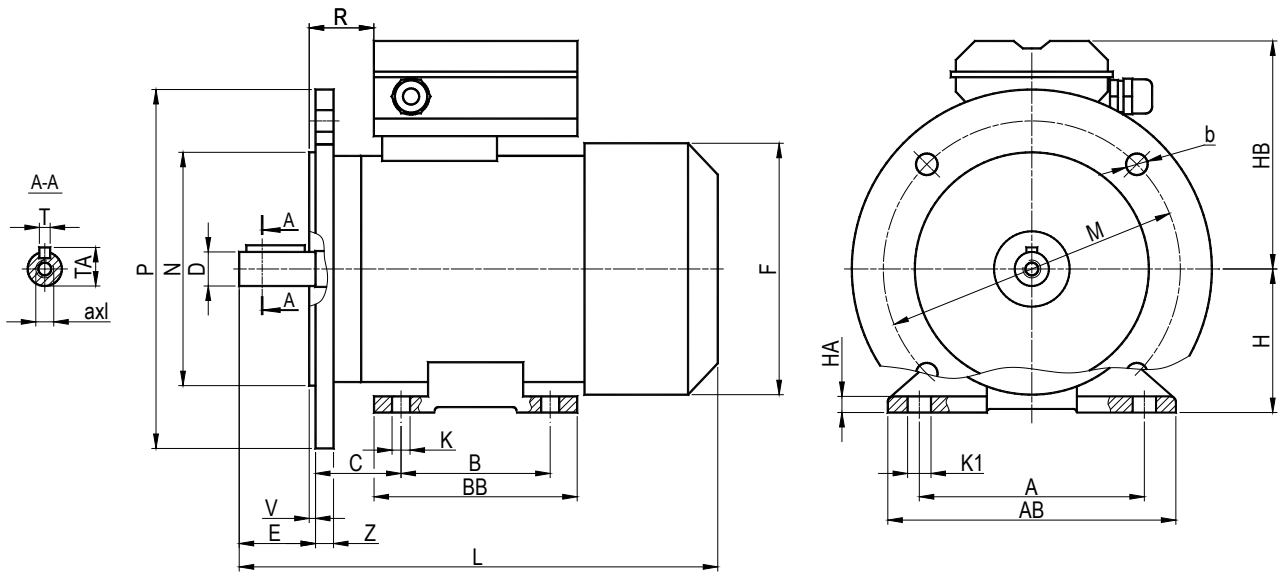
rated voltage 230 V – 50 Hz

IEC 60034-1

degree of protection: IP54 insulation class F; duty S1; temp. -15°C to +40°C

CE mark

Construction form B35



type	dimension [mm]																			shaft				
	A	B	C	F	H	HB	K	K1	L	M	N	P	R	BB	AB	V	HA	Z	b	D	a x l	E	T [h9]	TA
SMLKF 56 A/B	90	71	36	110	56	104	6	8	187	100	80	120	17	90	107	3	7	8,5	7	9 j6	M4x10	20	3	10
SMLKF 63 A/B	100	80	40	125	63	108	7	10	205	115	95	140	18	100	120	3	7	8	9	11 j6	M4x10	23	4	12
SMLKF 71 A/B	112	90	45	141	71	122	7	11	244	130	110	160	18	112	135	3,5	8	8	9,5	14 j6	M5x15	30	5	16
SMLKF 80 A/B	125	100	50	159	80	139	9	13	275	165	130	200	25	125	153	3,5	12	8,5	11,5	19 j6	M6x15	40	6	21
SMLKF 90S	140	100	56	176	90	146	10	13	305	165	130	200	32	130	170	3,5	13	10	11,5	24 j6	M8x20	50	8	27
SMLKF 90L	140	125	56	176	90	146	10	13	330	165	130	200	32	155	170	3,5	13	10	11,5	24 j6	M8x20	50	8	27
SMLKF 100L	160	140	63	193	100	160	12	17	368	215	180	250	40	170	192	4	14	11	14	28 j6	M10x25	60	8	31